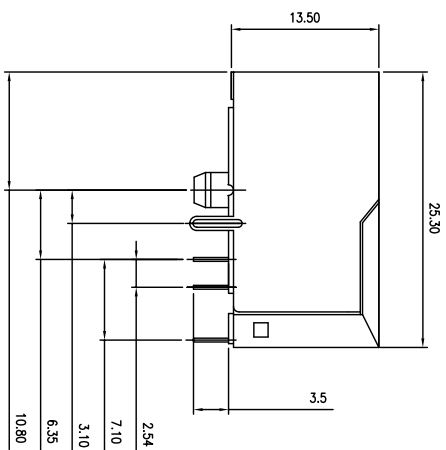
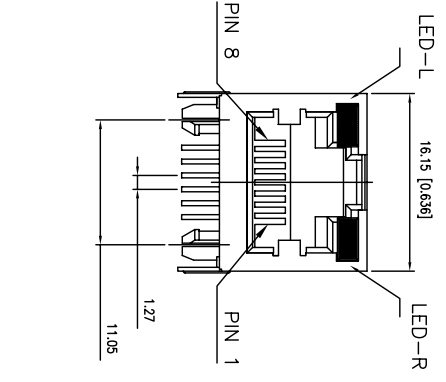


CATEGORY	DESCRIPTION	P/N #
CONNECTOR	RJ45 10/100Mbps With LED	MJ3B-B211-RLX5T017-0

REV.	ECN NO
A01	---

DESCRIPTION	REVISED	DATE
整理図面	XSY	2015.05.02



MJ3B-B211-RLX5T017-0

TABLE 1

X	LED-L	LED-R
1	GREEN	YELLOW
2	YELLOW	GREEN

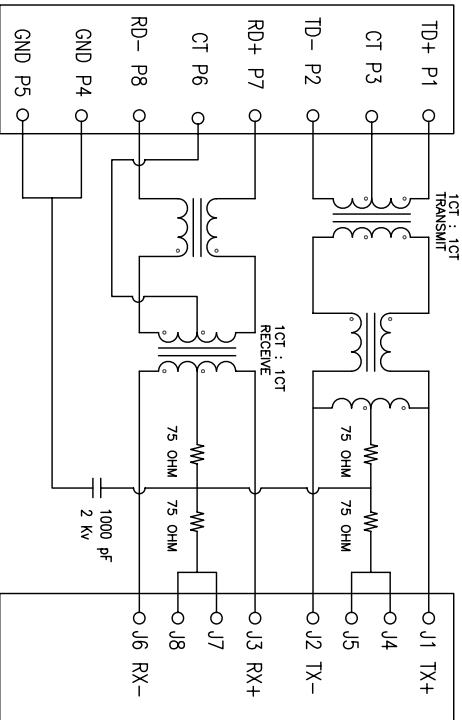
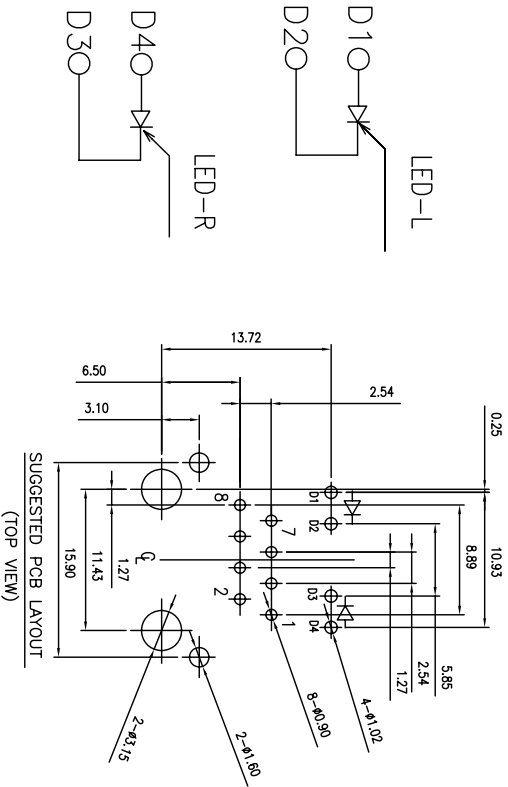
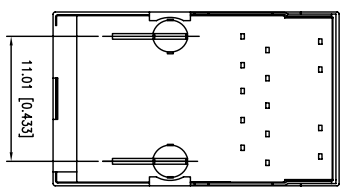
ELECTRICAL SPECIFICATIONS @ 25°C+/-5°C

Insertion Loss: 1-100MHZ -1.0dB MAX
 Return Loss: 1-30MHZ -16.0dB MIN
 30-60MHZ -14.0dB MIN
 60-80MHZ -10.0dB MIN

Cross Talk: 1-30MHZ -40.0dB MIN
 30-60MHZ -35.0dB MIN
 60-80MHZ -30.0dB MIN

Turn Ratio: 1CT:1CT+/-3%

CMR:1-100MHZ -35.0dB MIN
 Hi-Pot: 1000v AC 2S 1mA
 OCL:350uH MIN @ 100KHZ 100mV 8mA DC
 Operating temperature range:0°C to +70°C



g	LED-R	1	See Table1	Tin PALTING	
f	LED-L	1	See Table1	Tin PALTING	
e	SHELL	1	BRASS	Ni PALTING	
d	SOLDER TERMINAL	8	BRASS	Tin PALTING	
c	CONTACT TERMINAL	8	PHOSPHOR BRONZE	Au 6u" PALTING	
b	COVER	1	PBT UL94V-0	BLACK	
a	HOUSING	1	PBT UL94V-0	BLACK	
NO.	PART NAME	QTY	MATERIAL	PLATING & COLOR	Remark

UNLESS OTHERWISE SPECIFIED TOLERANCES

DECIMALS: ANGLES:
 X :±0.5 X :±2
 XX :±0.3 XX :±1
 XXX :±0.2

東莞市合陵電子有限公司
DongGuan Heling Electronic Co.,LTD

SCALE:1/1 UNIT: mm DWG.NO:
 SIZE: A3 PAGE:1 OF 1 REV:A01

APPROVED BY: _____ CHECKED BY: _____ PREPARED BY: _____
 DICK XSY XSY XSY

CUSTOMER COPY